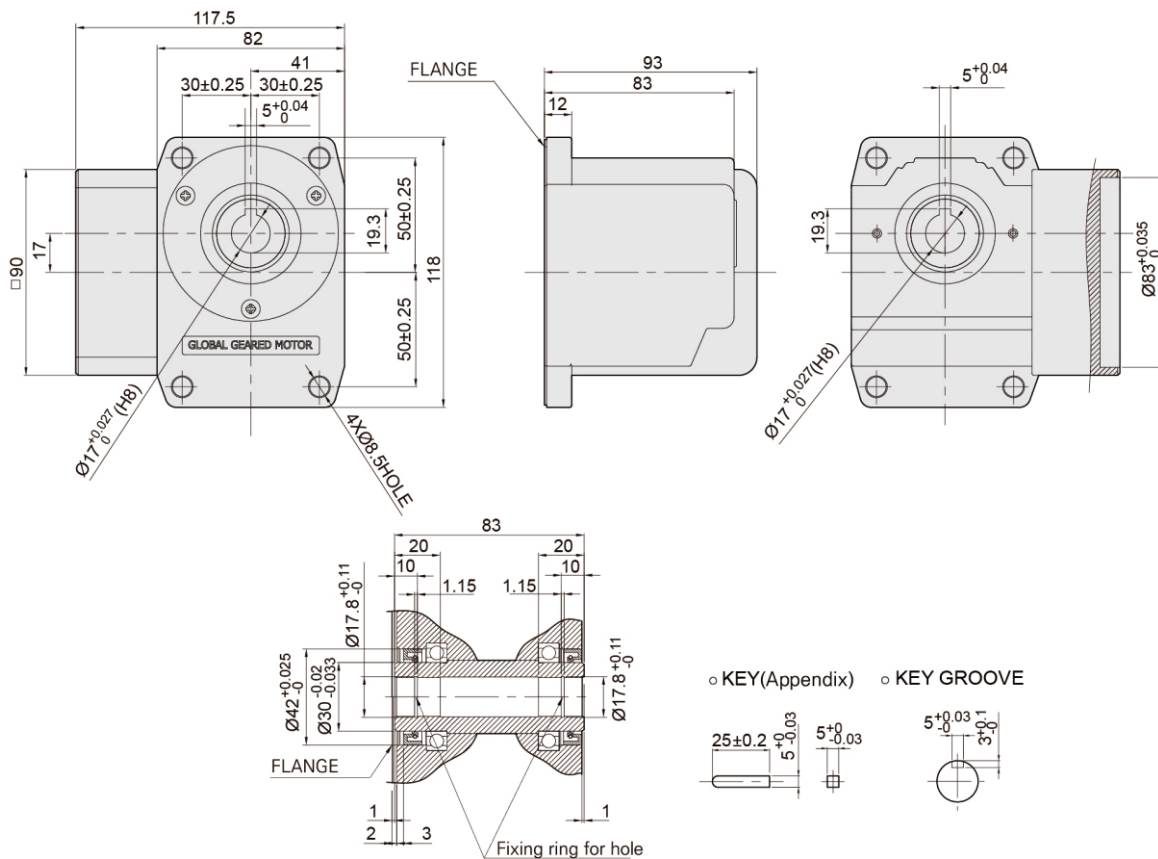


K9P□BRH(Hollow Shaft Type)

Diagram and general contents



Outline Drawing



RATED TORQUE OF GEARHEAD

● INDUCTION MOTOR / 50Hz

Unit = above : N · m / below : kgfcm

Model	Speed(rpm)	500	416	300	250	200	166	120	100	83	60	50	42	30	25	20	17	15	12.5	10	8.3
Motor/Gearhead	Ratio	3	3.6	5	6	7.5	9	12.5	15	18	25	30	36	50	60	75	90	100	120	150	180
K9I□60F□(-T,-T5) / K9P□BRH		0.65	0.78	1.09	1.31	2.22	2.66	3.70	4.44	5.32	7.40	7.83	9.40	13.05	15.66	20	20	20	20	20	20
		6.5	7.8	10.9	13.1	22.2	26.6	37.0	44.4	53	74.0	78.3	94	130.5	156.6	200	200	200	200	200	200
K9I□90F□(-T,-T5) / K9P□BRH		0.98	1.17	1.63	1.95	3.32	3.98	5.53	6.63	7.96	11.05	11.70	14.04	19.50	23.40	20	20	20	20	20	20
		9.8	11.7	16.3	19.5	33.2	39.8	55.3	66.3	80	110.5	117.0	140	195.0	234.0	200	200	200	200	200	200

● INDUCTION MOTOR / 60Hz

Unit = above : N · m / below : kgfcm

Model	Speed(rpm)	600	500	360	300	240	200	144	120	100	72	60	50	36	30	24	20	18	15	12	10
Motor/Gearhead	Ratio	3	3.6	5	6	7.5	9	12.5	15	18	25	30	36	50	60	75	90	100	120	150	180
K9I□60F□(-T,-T5) / K9P□BRH		0.56	0.67	0.98	1.11	1.89	2.26	3.15	3.77	4.53	6.29	6.66	7.99	11.10	13.32	20	20	20	20	20	20
		5.6	6.7	9.3	11.1	18.9	22.6	31.5	37.7	45	62.9	66.6	80	111.0	133.2	200	200	200	200	200	200
K9I□90F□(-T,-T5) / K9P□BRH		0.83	0.99	1.38	1.65	2.81	3.37	4.68	5.61	6.73	9.35	9.90	11.88	16.50	19.80	20	20	20	20	20	20
		8.3	9.9	13.8	16.5	28.1	33.7	46.8	56.1	67	93.5	99.0	119	165.0	198.0	200	200	200	200	200	200

- * The code in □ of gearhead model is for gear ratio.
- * Output shaft of the geared motor rotates in the opposite direction of the motor. Others indicate rotation in the opposite direction.
- * RPM is based on motor's synchronous rpm (50HZ:1500rpm, 60HZ:1800rpm) and calculated by dividing gear ratio. Actual rpm is 2~20% less than indicating rpm according to load size.
- * Output torque become smaller during starting than rated because of low transferring efficiency.

K9P□BRH(Hollow Shaft Type)

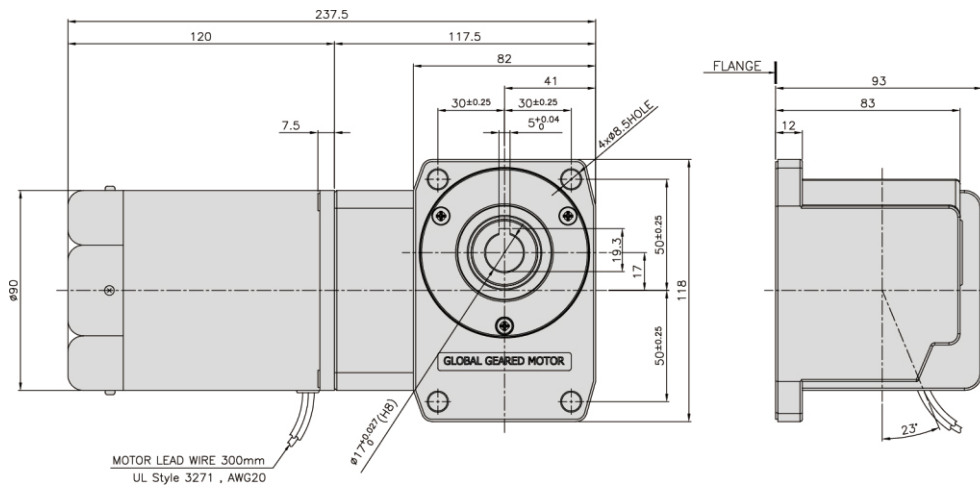
DIMENSIONS

RATED TORQUE A WEIGHT

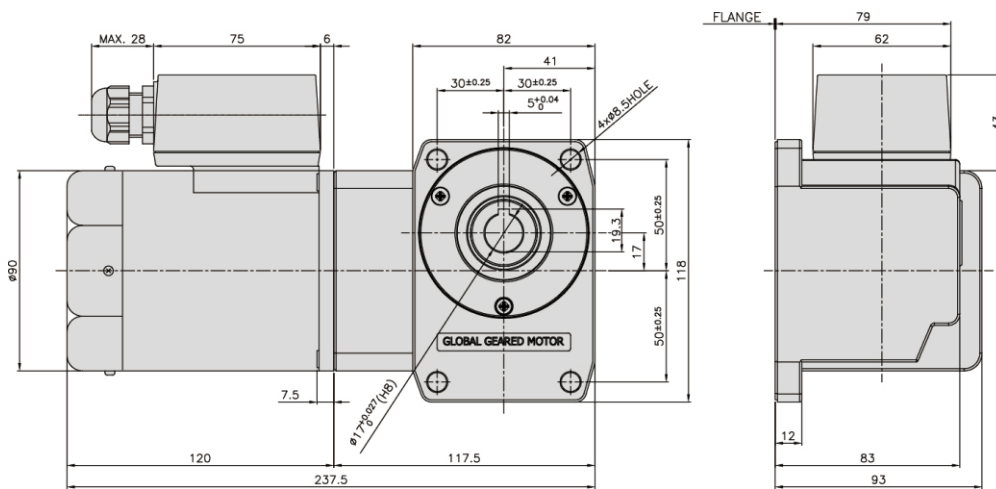
PART	WEIGHT(kg)	MOUNTING BOLT
GEAR HEAD	2.50	M6 P1,0 X 20
MOTOR	K9IP60F□	2.50
	K9IP60F□-T	2.68
	K9IP60F□-T5	2.68

PART	WEIGHT(kg)	MOUNTING BOLT
GEAR HEAD	2.50	M6 P1,0 X 20
MOTOR	K9IP90F□	3.00
	K9IP90F□-T	3.18
	K9IP90F□-T5	3.18

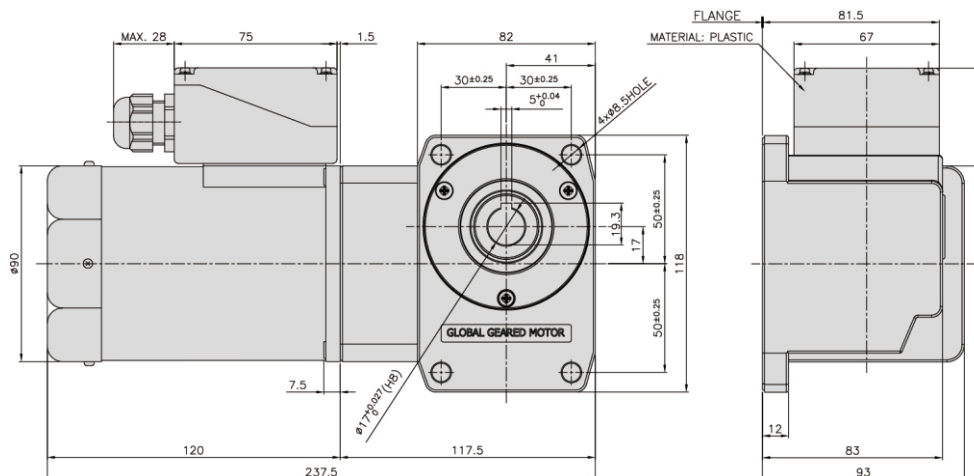
K9□P60F□+K9P□BRH



K9□P60F□-T+K9P□BRH



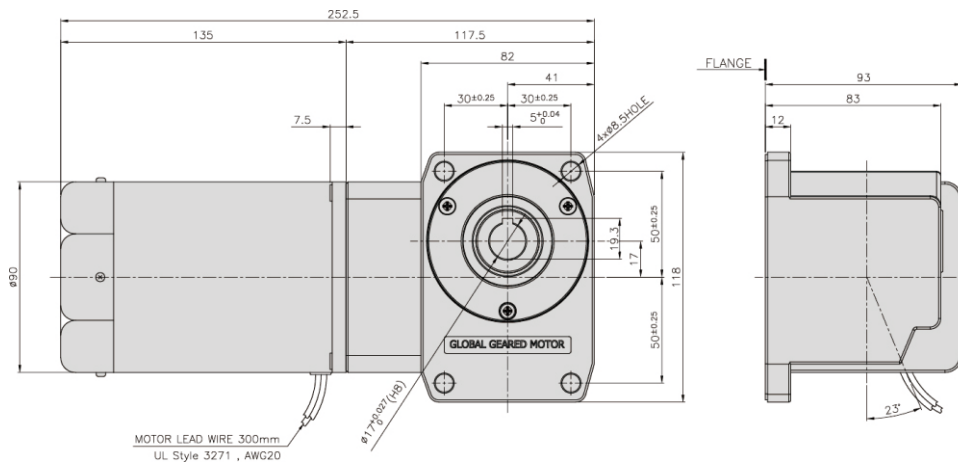
K9□P60F□-T5+K9P□BRH



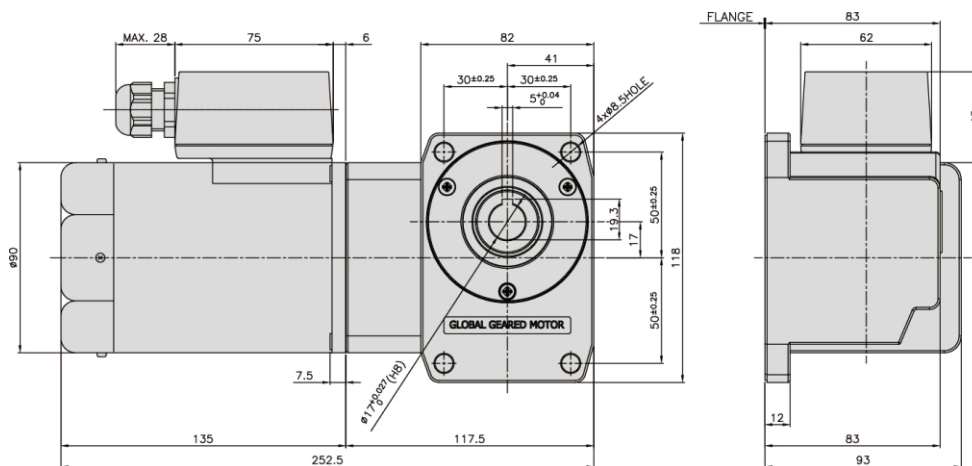
K9P□BRH(Hollow Shaft Type)

DIMENSIONS

K9□P90F□+K9P□BRH



K9□P90F□-T+K9P□BRH



K9□P90F□-T5+K9P□BRH

